

OPUS line

Technical manual

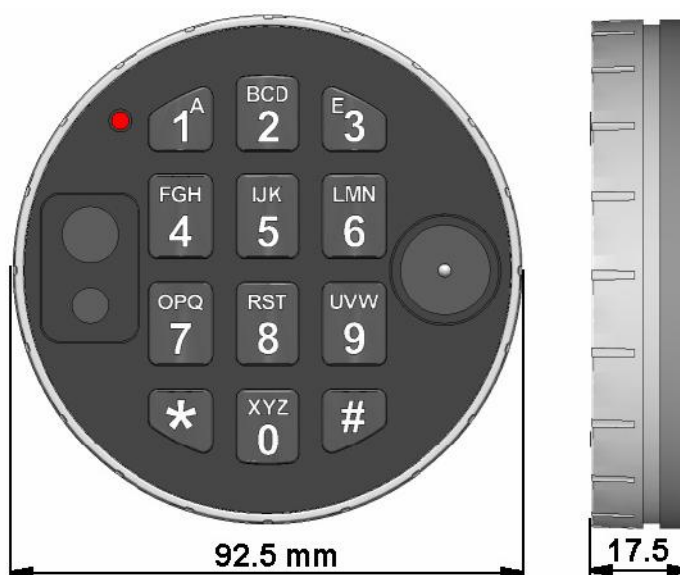


Opus Delta entry units

DE20•20 / DE 20•30 Technical Manual

CHARACTERISTICS

The Delta is electronic entry with i-button (Dallas Key) contact that has “soft touch” keypad convenient for frequent openings. The height of the Delta Entry is very low because the battery box is located inside the safe. Cable length is approximately 30 cm. The Delta entry can be mounted as stationary or turnable model.

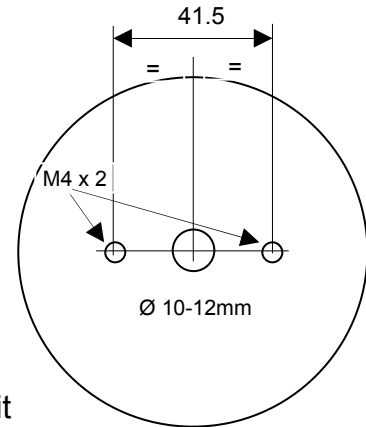


Remember:

1. Check all lock functions before you start
2. Always protect the lock from metal shavings, paint, weld-spatter and similar
3. Never break seal on lock as this will void warranty
4. No part of the lock system should be greased or lubricated

5. Handle cables and components with care
6. Always fix cables away from any moving parts
7. Always use Alkaline batteries

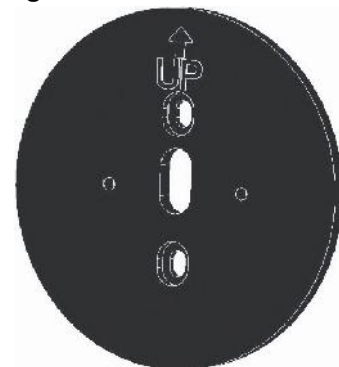
Drill and tap door to accept base plate (1). Spindle hole, max \varnothing 12mm, must be thoroughly de-burred. Cut spindle (5) length to door thickness (including adaptor plate if used) + 16/17mm. Cut shrink tubing (8) to door thickness -2-3mm. Insert spindle in keypad (6) so that cable runs in the groove of the spindle.



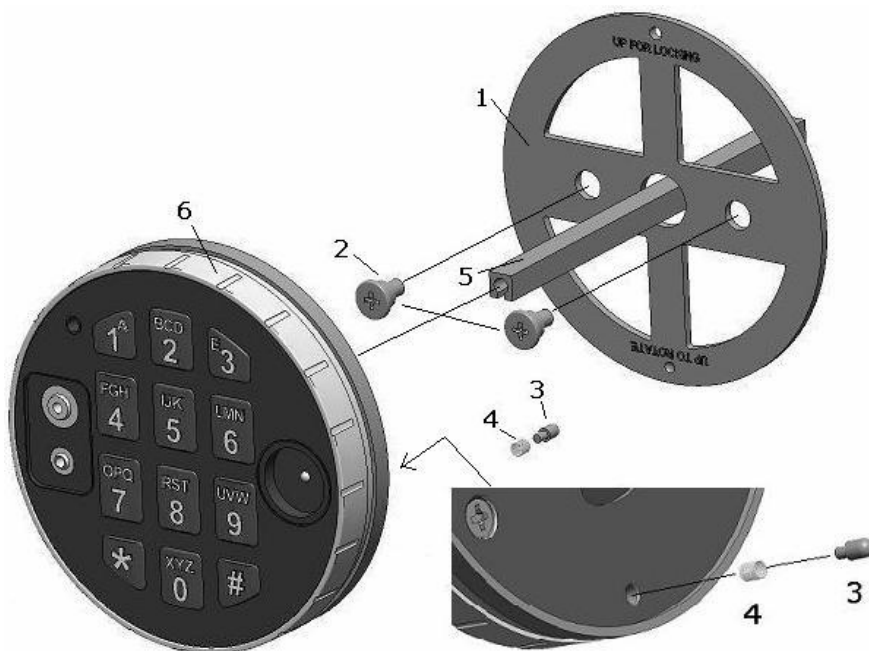
Fix shrink tube over spindle and cable with a hot-air gun. Fit base plate on door using the 2x M4 mushroom-head screws (2) with "UP TO ROTATE" oriented upwards. Use Loctite® on the threads. Fit detent spring (4) and detent (3) into the hole on the rear of the keypad. Take care not to lose it during the next steps. Insert keypad spindle in to spindle hole until keypad comes against screw heads. Rotate keypad 35-40° CCW until keypad can be fixed on the screw heads and then rotate CW to straight up. Fit the spy-proof ring. Fit the cable protection sleeve (7) on to the spindle end (flat surface towards mounting surface) and route cable in to the cut out in the sleeve.

Figure I

Figure II



There must be a free



area next to lock for the cable to move in as shown in fig A.

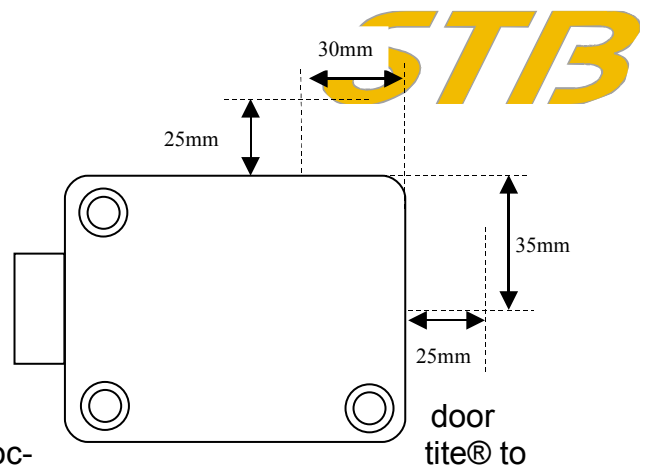
Make sure that mounting surface is smooth especially where cable is supposed to move against surface.

Drill and tap 3x M6 or 8-32" holes for the lock case. The lock can be fitted in any of the 4 directions (VU, VD, HR and HL). Fit the lock with the keypad in the upright position. Use only supplied screws and make sure that cable is not pinched. Use loctite® on threads. Connect cable from keypad to the ENT connector on lock case. Fix extra cabling in a professional way and away from moving parts.

Opus line

Fit battery box. Connect battery cable to BAT connection on lock case. Fix extra cabling in a professional way and away from moving parts. Attach battery and fit cover.

NOTE! All parts fitted to the inside of the safe must be securely fastened using screws and lock-prevent components from eventually blocking the boltwork.



Test the lock: (always with door open)

Enter code (factory default: 1 2 3 4 5 6) and turn keypad CW to stop. Make sure that keypad cable is free to move. Turn safe handle to open and check that no moving part of the boltwork is rubbing or moving against any cable/part. Turn safe handle to locked position and then turn keypad CCW to stop and check that it is locked. Repeat operation at least 3 times before closing safe door.

Models

DE20•20: Silver ring



DE20•30: Black ring

