

OPUS line

Technical Manual



Opus 2005/22005





Entry unit

EC50•50/60/70 Technical Manual

CHARACTERISTICS

The housing of the Opus 2005/22005 entry unit combines an alpha-numeric membrane keypad with a large handle. The 8x8 mm square shaft of the pull handle drives either the lock or a boltwork. The integrated battery compartment opens with a slider and is located in the bottom of the unit. Cable length is approximately 30 cm.

LOCKS

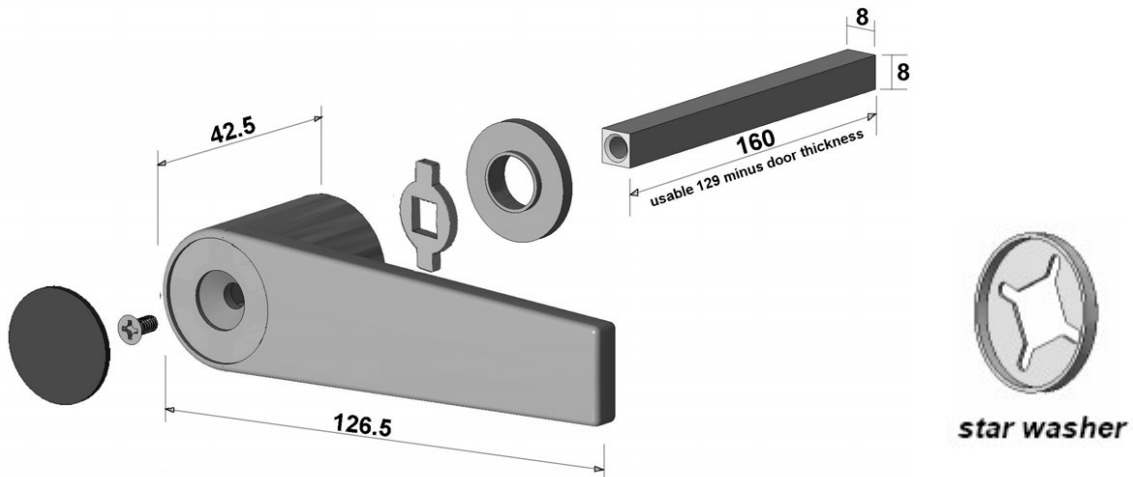
	Opus 30 Deadbolt
	Opus 40 Slidebolt
	Opus 60 Motorlock
	Opus 70 Rotobolt

The Opus 2000/22000 entry unit is compatible with the following Opus locks



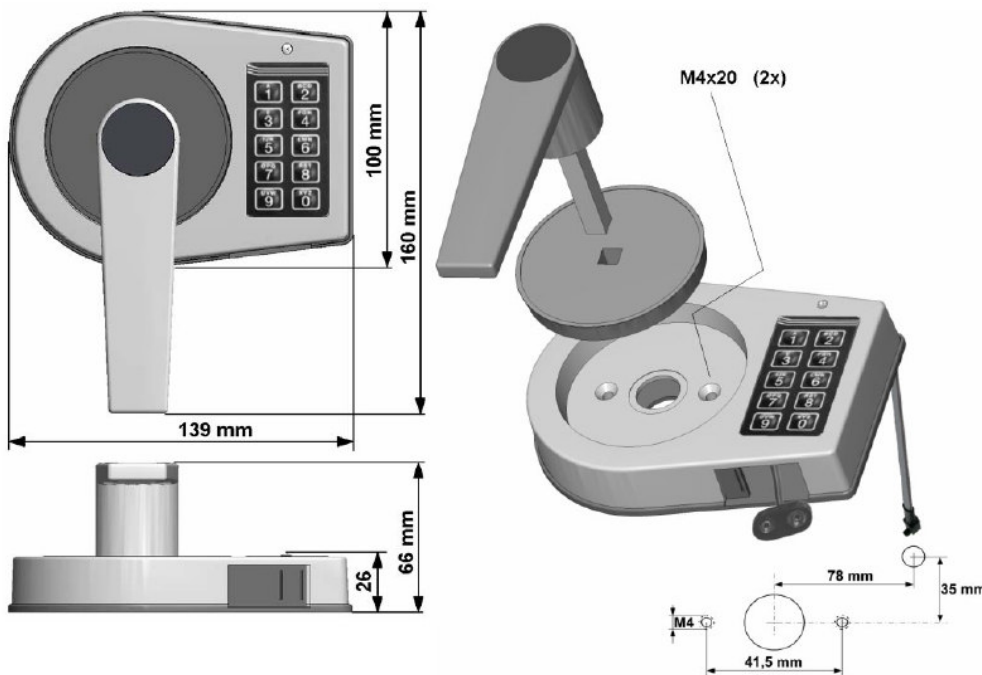
DIMENSIONS / MOUNTING INSTRUCTIONS

Cut the 8 mm square shaft to an appropriate length. It should stick out of the boltwork 5-8 mm and is secured to the boltwork with the star washer. If the handle drives the Deadbolt lock, cut the shaft to door thickness plus 20 mm (+/-2mm). The star washer is placed between the lock and the safe door. Assemble the handle as shown below.



Affix the shaft in the handle with the provided screw and cover the screw with the label.

The cable should be routed through a separate cable hole. The diameter of the cable hole should be minimum 9 mm, maximum 12 mm. The spindle hole should be maximum Ø 13 mm. Both holes must be deburred well to avoid damage.



Route the cable through the cable hole. Mount the unit with two M4 or 8-32" flathead screws. Insert the shaft plate and push the shaft into the lock. If the handle drives a boltwork, put the star washer on the end of the shaft to secure the handle.

Connect one (1) battery to the battery clip. Only use 9V-ALKALINE batteries from brand name manufacturers like DURACELL™.

Check all lock functions before closing the Safe.

